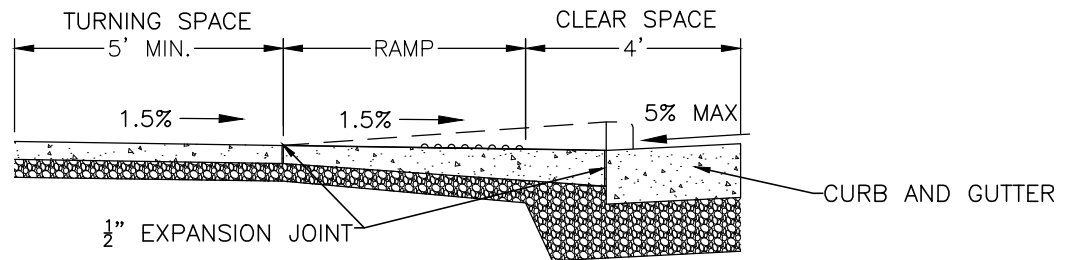
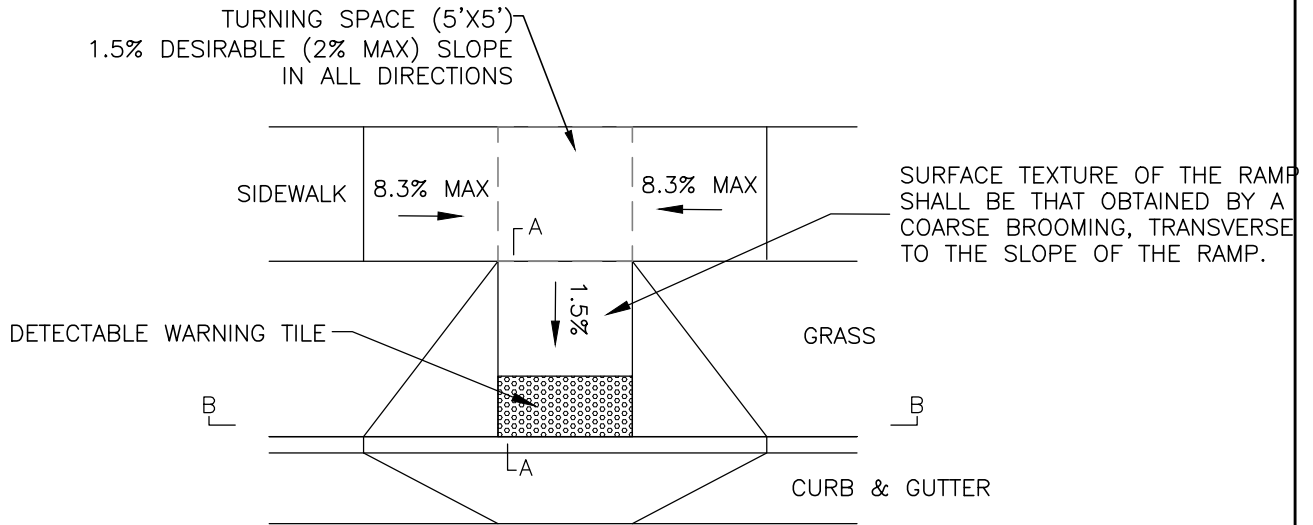
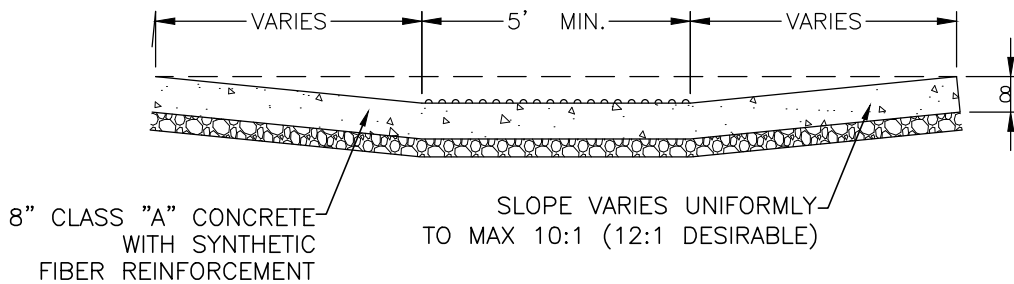


NOTE: CONTRACTOR TO ENSURE NO STANDING WATER AT RAMP



SECTION A-A



SECTION B-B

GENERAL NOTES

1. A VARIATION OF THE RAMP MAY BE USED IN CERTAIN CIRCUMSTANCES BUT MUST COMPLY WITH PROPOSED ACCESSIBILITY GUIDELINES FOR PEDESTRIAN FACILITIES IN THE PUBLIC RIGHT-OF-WAY
2. DESIRABLE SLOPE TO BE USED UNLESS OTHERWISE DIRECTED BY THE CITY OF FRANKLIN.
3. MINIMUM TURNING SPACE IS 5'X5'.
4. RAMPS SHALL BE PROVIDED AT ALL STREET INTERSECTIONS, WALK LOCATIONS AND MID-BLOCK LOCATIONS.
5. GRADE BREAKS AT THE TOP AND BOTTOM OF CURB RAMP RUNS SHALL BE PERPENDICULAR TO THE DIRECTION OF THE RAMP RUN. GRADE BREAKS SHALL NOT BE PERMITTED ON THE SURFACE OF RAMP RUNS AND TURNING SPACES. SURFACE SLOPE THAT MEET AT GRADE BREAKS SHALL BE FLUSH.
6. 4" MIN BASE STONE (303-01 MINERAL AGGREGATE, TYPE "A" BASE, GRADING "D" REQUIRED UNDER ALL SIDEWALKS.
7. THE DETECTABLE WARNING SHALL EXTEND THE FULL WIDTH OF THE CURB RAMP (EXCLUSIVE OF FLARED SIDES) AND SHOULD EXTEND ONLY 2 FEET IN THE DIRECTION OF TRAVEL.
8. DETECTABLE WARNING SURFACES SHALL BE YELLOW (ADA SOLUTIONS, INC. OR APPROVED EQUAL) CAST IN PLACE AND SHALL EXTEND THE FULL WIDTH OF THE CURB RAMP (EXCLUSIVE OF FLARED SIDES) AND SHOULD EXTEND ONLY 2 FEET IN THE DIRECTION OF TRAVEL.

CITY OF FRANKLIN

COMBINATION PERPENDICULAR SIDEWALK RAMP

DWG. NO. RP-12

EFFECTIVE DATE: 7/1/2017

Paul P. Hoyle 7/1/2017
CITY ENGINEER DATE

Stephanie Martin 7/1/2017
ASST. DIRECTOR OF ENG. DATE