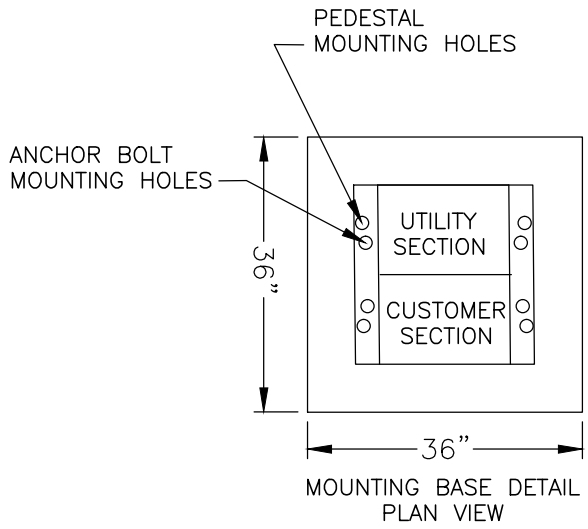
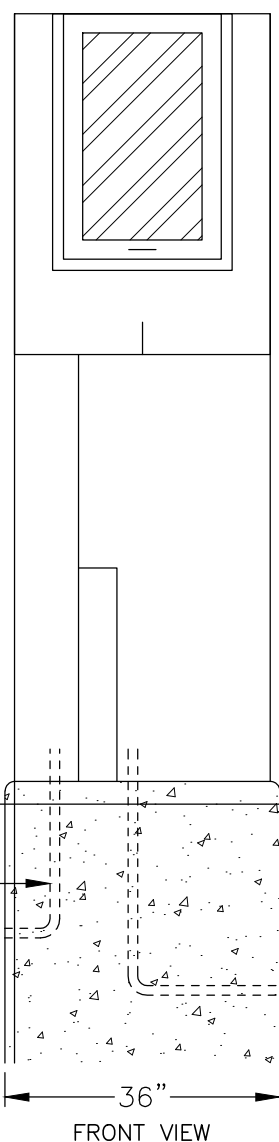


FINISH SHALL BE POWDER COATED TO MATCH SHERWIN-WILLIAMS #PGS4-1059-FC (FRANKLIN GREEN) WHEN LOCATED IN HISTORIC DOWNTOWN FRANKLIN AREA.



GENERAL NOTES:
 1) MILBANK SERVICE PEDESTAL MODEL NUMBER CP3B11110A22SL1 OR APPROVED EQUAL




POWER FEED TO BE CONNECTED IN CONTROLLER CABINET.

#2 AWG COPPER WIRE TO SERVICE POINT OF POWER CO.

5/8" X 10' COPPERCLAD GROUND ROD

CONDUIT & WIRE AS SPECIFIED PER PLANS

N.T.S

CITY OF FRANKLIN		 CITY ENGINEER	7/1/2017
ELECTRICAL SERVICE DETAILS TRAFFIC SIGNAL INSTALLATION			DATE
DWG. NO. ITS-5	EFFECTIVE DATE: 7/1/2017	 ASST. DIRECTOR OF ENG.	7/1/2017
			DATE