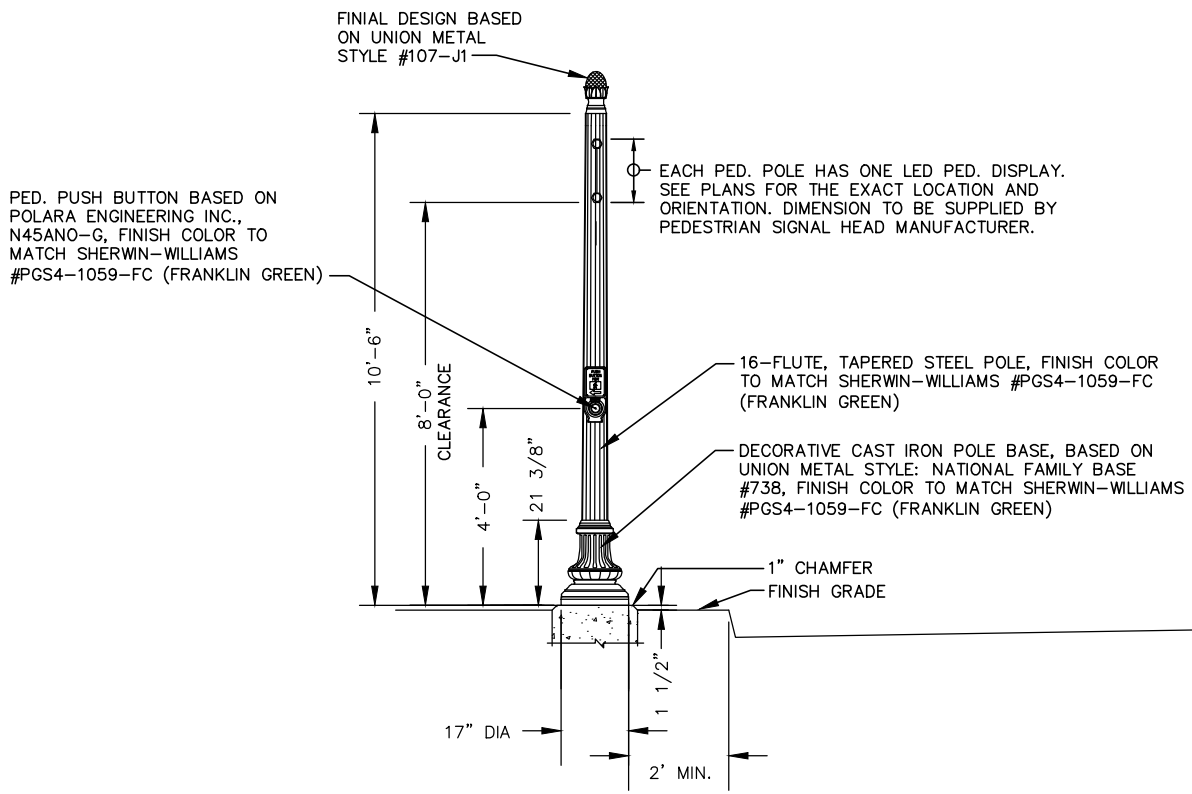


12" LED SIGNAL HEAD ON TOP OF PEDESTAL POLE. SEE PLANS FOR THE EXACT LOCATION AND ORIENTATION.



NOTE: THIS DETAIL TO BE USED IN DOWNTOWN FRANKLIN GATEWAY CORRIDORS AND CONNECTOR STREETS.

N.T.S

CITY OF FRANKLIN

STREETSCAPE PEDESTAL POLE

DWG. NO. SS-12

EFFECTIVE DATE: 7/1/2017

Paul P. Hoyle 7/1/2017
CITY ENGINEER DATE

Stephanie M. Martin 7/1/2017
ASST. DIRECTOR OF ENG. DATE